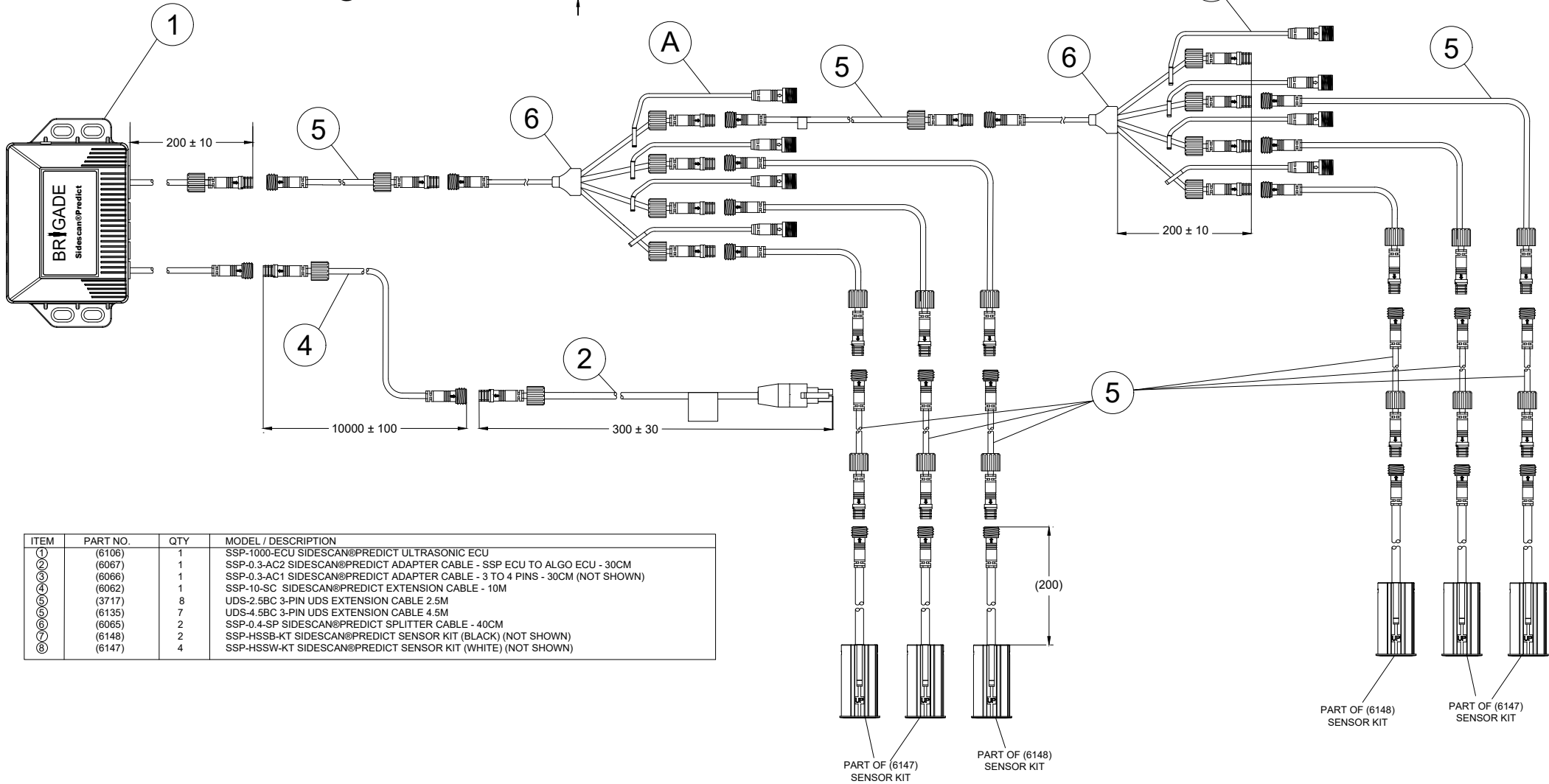
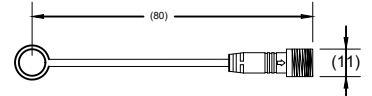


Revision Notes				
R1 -				
APA: -	Drawn:-	Checked:-	Approved:-	Date: -

DETAIL A

PROTECTIVE CAP (4 X EACH)



ITEM	PART NO.	QTY	MODEL / DESCRIPTION
①	(6106)	1	SSP-1000-ECU SIDESCAN@PREDICT ULTRASONIC ECU
②	(6067)	1	SSP-0.3-AC2 SIDESCAN@PREDICT ADAPTER CABLE - SSP ECU TO ALGO ECU - 30CM
③	(6066)	1	SSP-0.3-AC1 SIDESCAN@PREDICT ADAPTER CABLE - 3 TO 4 PINS - 30CM (NOT SHOWN)
④	(6062)	1	SSP-10-SC SIDESCAN@PREDICT EXTENSION CABLE - 10M
⑤	(3717)	8	UDS-2.5BC 3-PIN UDS EXTENSION CABLE 2.5M
⑤	(6135)	7	UDS-4.5BC 3-PIN UDS EXTENSION CABLE 4.5M
⑥	(6065)	2	SSP-0.4-SP SIDESCAN@PREDICT SPLITTER CABLE - 40CM
⑦	(6148)	2	SSP-HSSB-KT SIDESCAN@PREDICT SENSOR KIT (BLACK) (NOT SHOWN)
⑧	(6147)	4	SSP-HSSW-KT SIDESCAN@PREDICT SENSOR KIT (WHITE) (NOT SHOWN)

- NOTES:**
- ANY SUBSEQUENT MODIFICATION OF THIS PRODUCT CAUSING SUBSEQUENT FAILURE IS NOT A LIABILITY OF BRIGADE ELECTRONICS GROUP PLC.
 - REFER TO COMPONENT DRAWINGS FOR COMPONENT DETAILS.
 - FOR PACKAGING & LABELING DETAIL REFER TO THE LATEST REVISION OF THE MASTER BOM.
 - UNUSED INPUTS MUST HAVE PROTECTIVE CAPS FITTED DURING INSTALLATION.

PROPRIETARY NOTICE
 THIS DESIGN AND TECHNICAL INFORMATION APPEARING ON THIS DRAWING IS THE PROPERTY OF BRIGADE ELECTRONICS, AND IS DISCLOSED IN CONFIDENCE. IT IS NOT TO BE COPIED, REPRODUCED, REVEALED TO OR EXPROPRIATED BY OTHERS, EITHER IN WHOLE OR IN PART WITHOUT THE EXPRESS WRITTEN CONSENT OF BRIGADE ELECTRONICS.



Assembly Pl Approval A. YAO		Approved by S. LAVER	Checked by R. PENTLEY	Drawn by S. GOVENDER
Angle of Projection	Units mm	Scale N/A	Released 07/09/20	Assembly Ref -
Third Angle	Status RELEASED	SSP-6000-KT		
	Part No 6146	BE-004395-00-20		